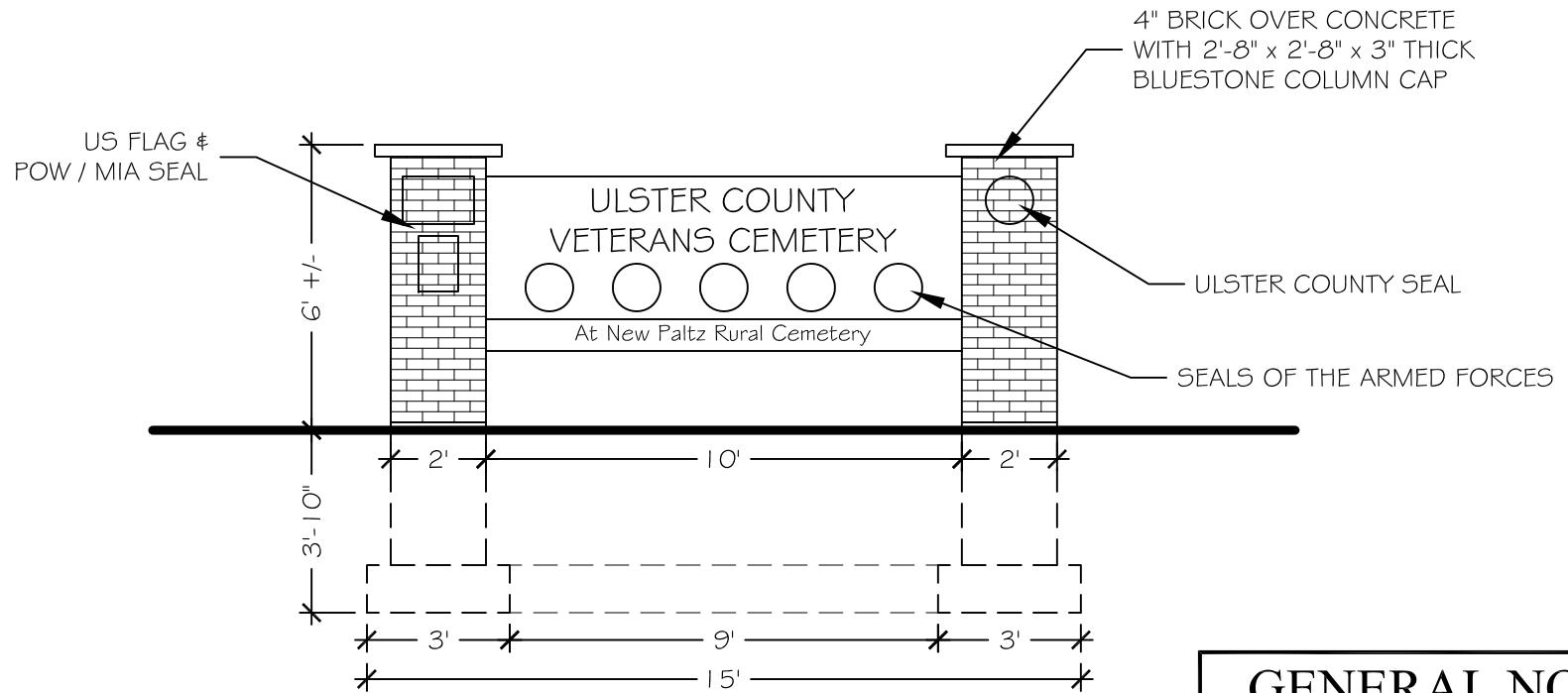


LOCATE SIGN AS MARKED BY ULSTER COUNTY
 - CONFIRM WITH STEVE MASSEE 845-417-5795



GENERAL NOTES

- A. ALL MATERIALS & METHODS OF CONSTRUCTION NOT SPECIFICALLY ADDRESSED IN THESE DRAWINGS & SPECIFICATIONS SHALL COMPLY WITH THE MINIMUM STANDARDS OF THE CURRENT BUILDING CODE OF NEW YORK STATE & THE TOWN OF NEW PALTZ.

1 FRONT ELEVATION
 SCALE: 1/4" = 1'

**MEMORIAL SIGN FOR
 ULSTER COUNTY VETERANS
 AT NEW PALTZ RURAL CEMETERY
 81 PLAINS ROAD NEW PALTZ, NY 12561**

BOLDER ARCHITECTURE, PLLC

DAVID TODER ARCHITECT / CRAFTSMAN

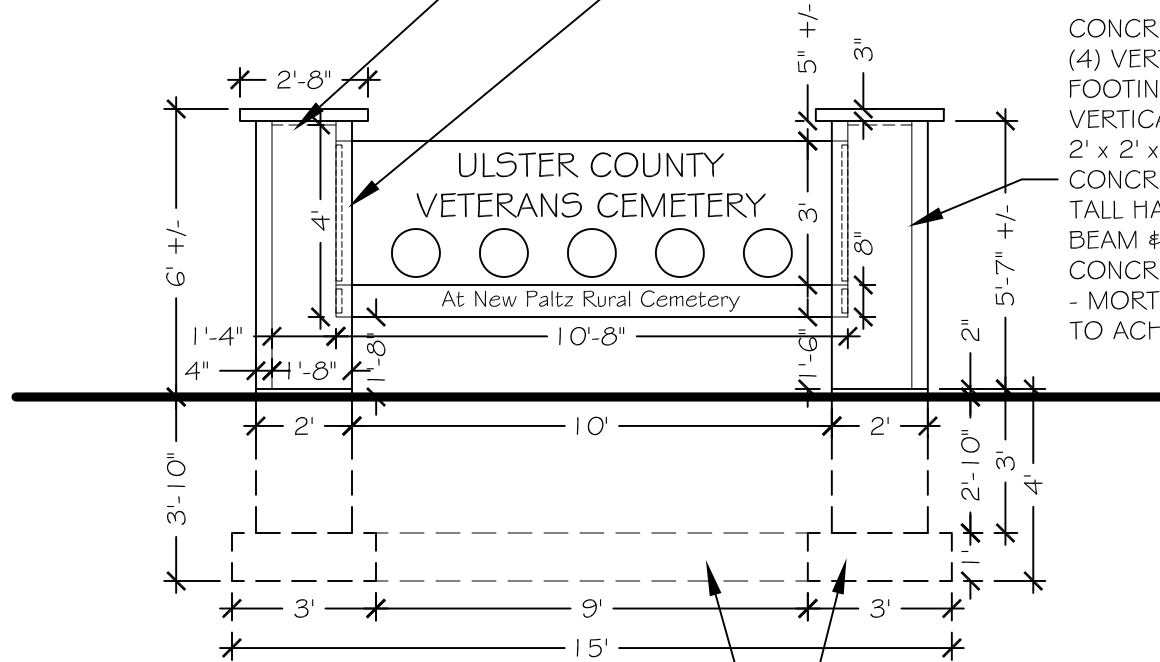
298 Plutarch Road
 Highland, New York 12528
 845-532-8354 fax 845-255-2548
 BolderArchitect@aol.com Bolder-Architecture.com

LOCATE SIGN AS MARKED BY ULSTER COUNTY
 - CONFIRM WITH STEVE MASSEE 845-417-5795

4" BRICK OVER CONCRETE WITH
 2'-8" x 2'-8" x 3" THICK BLUESTONE COLUMN CAP

1 1/4" +/- THICK GRANITE SIGN OVER 2" x 8" TUBULAR STEEL
 BEAM WITH BLACK POWDER COAT FINISH - SET ON CONCRETE
 HAUNCH & SECURE WITH (2) 1 1/2" GALV. ANGLE BRACKETS
 EACH SIDE (TOTAL OF 8) - SECURE BRACKETS TO CONCRETE
 AS REQUIRED WITH OPTION FOR PRESSURE FIT & NO
 FASTENERS THRU STEEL BEAM & STONE SIGN OR SIMILAR

CONCRETE PIER REINFORCED WITH
 (4) VERTICAL #4 REBARS SET 6" INTO
 FOOTING & #4 REBAR LOOPS @ 2' o.c.
 VERTICAL - LOWER SECTION OF PIER IS
 2' x 2' x 3' TALL - MIDDLE SECTION OF
 CONCRETE PIER IS 1'-4" x 1'-8" x 1'-6"
 TALL HAUNCH / SHELF TO SUPPORT STEEL
 BEAM & STONE SIGN - UPPER SECTION OF
 CONCRETE PIER IS 1'-4" x 1'-4" x 4' TALL
 - MORTARED 4" BRICK AS REQUIRED
 TO ACHIEVE 2' x 2' MASONRY PIER



3' x 3' x 1' THICK 3000 PSI CONCRETE FOOTING
 WITH #5 REBARS @ 8" o.c. EACH WAY TO 42" MIN.
 BELOW GRADE OR PIN TO ROCK

OPTION FOR (1) CONTINUOUS 3' x 15' x 1' THICK FOOTING
 INSTEAD OF (2) 3' x 3' x 1' THICK FOOTINGS

2 DETAILED SECTION / ELEVATION
 SCALE: 1/4" = 1'

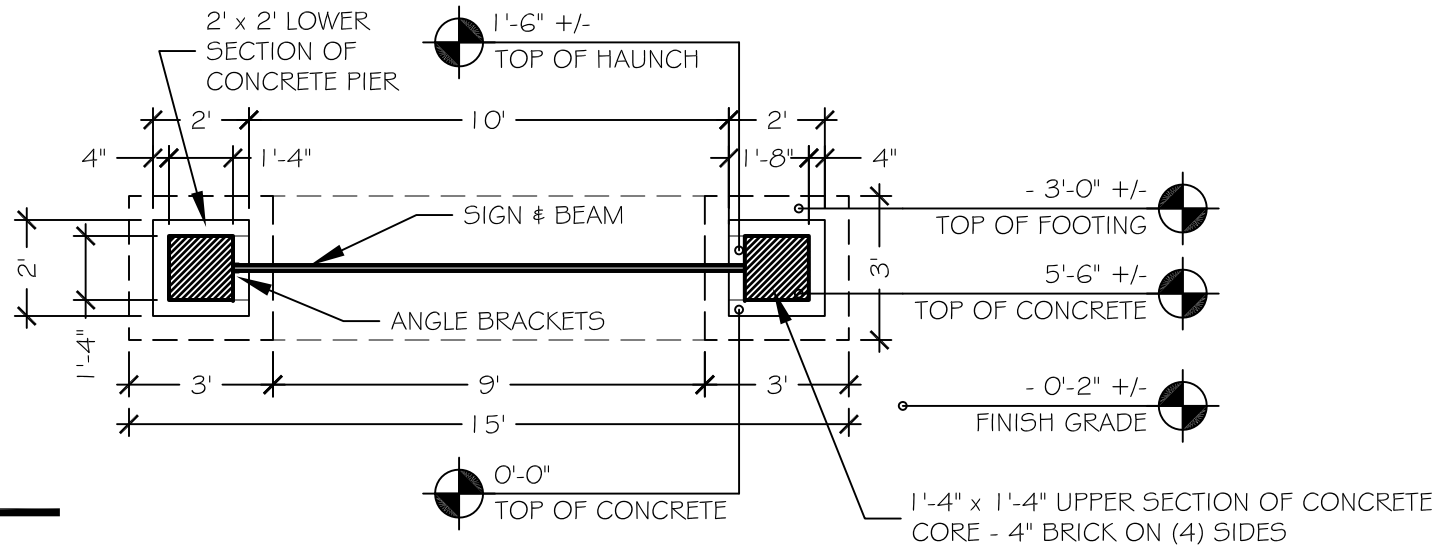
MEMORIAL SIGN FOR
 ULSTER COUNTY VETERANS
 AT NEW PALTZ RURAL CEMETERY
 81 PLAINS ROAD NEW PALTZ, NY 12561

BOLDER ARCHITECTURE, PLLC

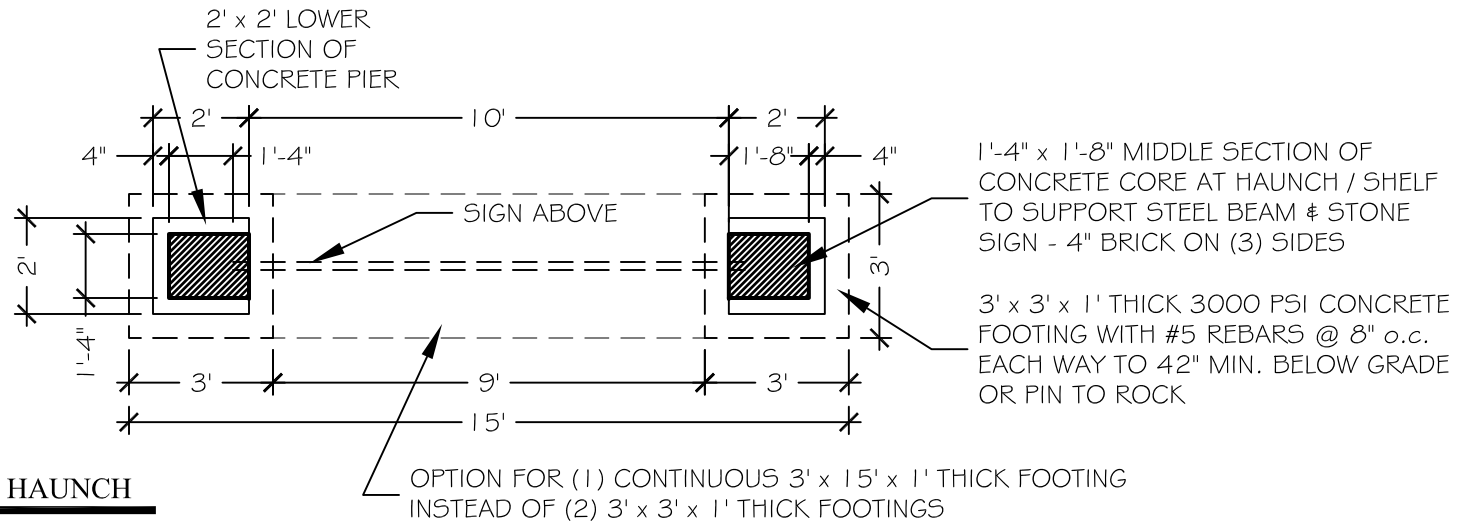
DAVID TODER ARCHITECT / CRAFTSMAN

298 Plutarch Road
 Highland, New York 12528
 845-532-8354 fax 845-255-2548
 BolderArchitect@aol.com Bolder-Architecture.com

LOCATE SIGN AS MARKED BY ULSTER COUNTY
 - CONFIRM WITH STEVE MASSEE 845-417-5795



3 PLAN AT LEVEL OF SIGN
 SCALE: 1/4" = 1'



4 PLAN AT LEVEL OF CONCRETE HAUNCH
 SCALE: 1/4" = 1'

MEMORIAL SIGN FOR
 ULSTER COUNTY VETERANS
 AT NEW PALTZ RURAL CEMETERY
 81 PLAINS ROAD NEW PALTZ, NY 12561

BOLDER ARCHITECTURE, PLLC

DAVID TODER ARCHITECT / CRAFTSMAN

298 Plutarch Road
 Highland, New York 12528
 845-532-8354 fax 845-255-2548
 BolderArchitect@aol.com Bolder-Architecture.com